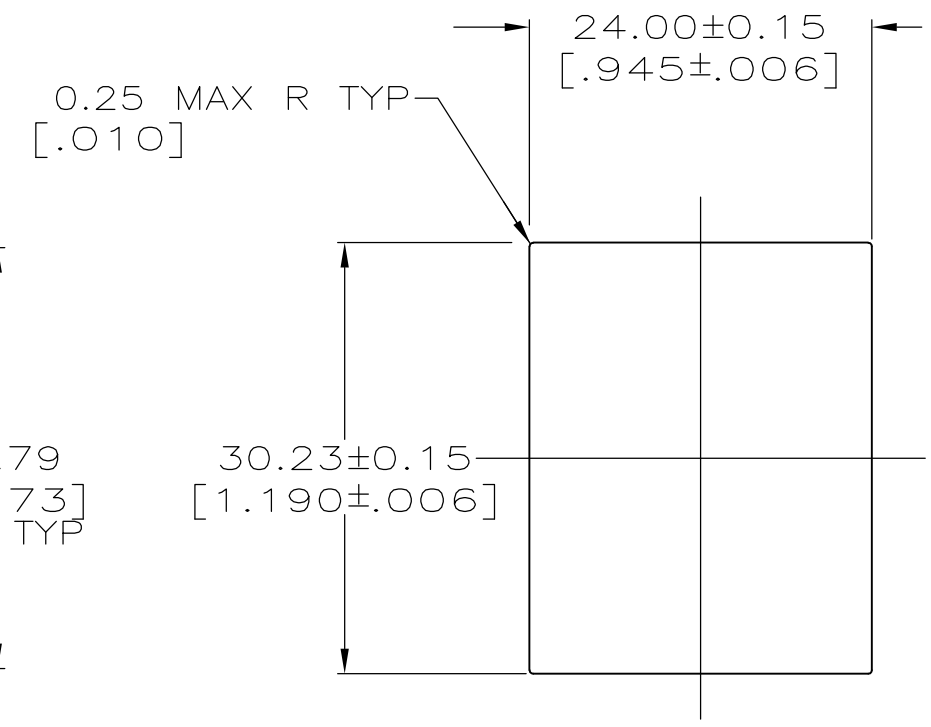
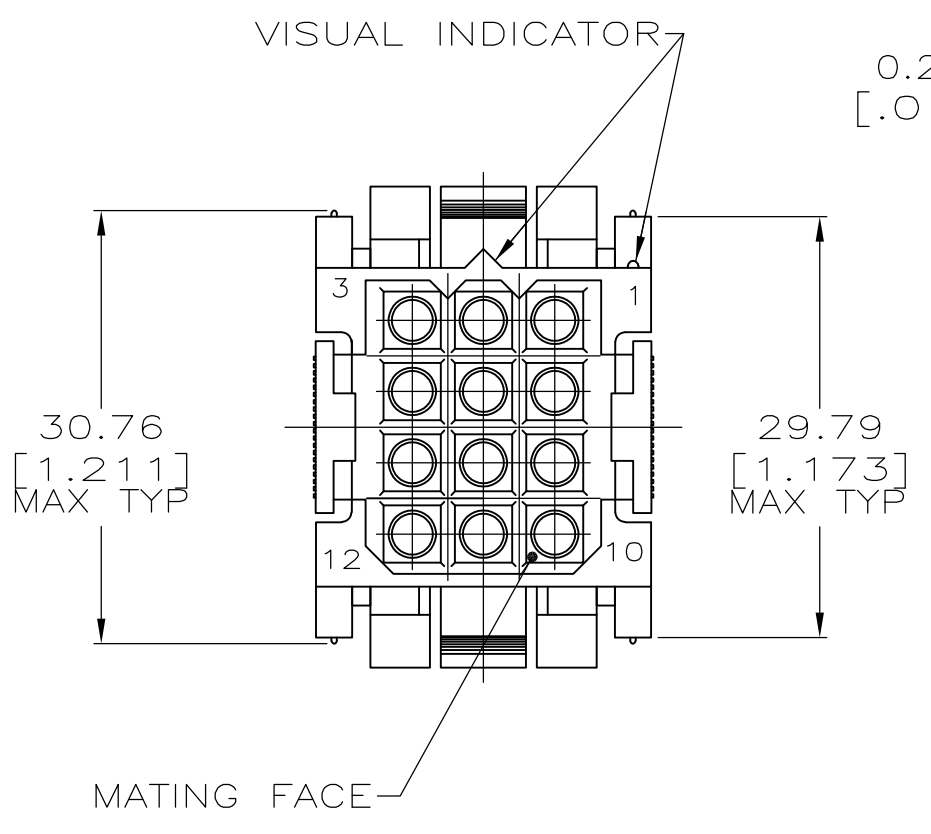
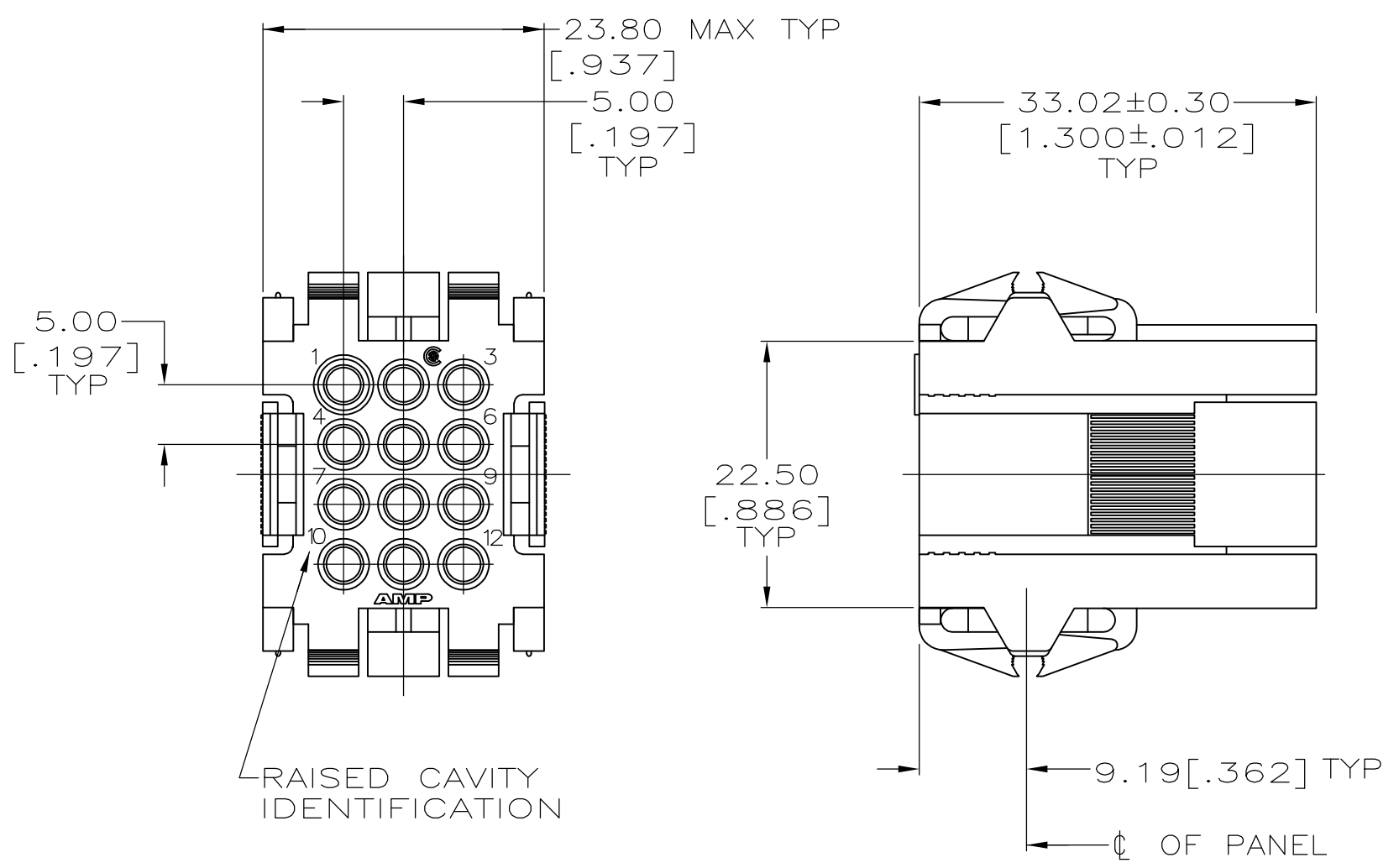


LOC	DIST	REVISIONS			
P	LTR	DESCRIPTION	DATE	OWN	APVD
FT	13	P			
		P	REVISED PER ECO-08-010687	30APR08	HMR GS



PANEL CUTOUT

- 1 PANEL RETENTION MECHANISM ACCOMMODATES PANEL THICKNESSES FROM 0.76[.030] TO 2.29[.090].
- 2 SAME AS 207018-1 EXCEPT: ROUNDED EDGES ON THE OUTSIDE OF THE HOUSING AND A 45° ANGLE ON THE OUTSIDE OF THE HOUSING BY THE LOCKING LATCHES, REF 927675.

△ SUPERSEDED BY 207018-1	207018-2
	207018-1
	PART NO

THIS DRAWING IS A CONTROLLED DOCUMENT.		DWN W.LENKER 08/26/92	Tyco Electronics Corporation Harrisburg, PA 17105-3608	
DIMENSIONS: mm [INCHES]		CHK R.STONE 8-31-92	Tyco Electronics Corporation	
TOLERANCES UNLESS OTHERWISE SPECIFIED:		APVD -	NAME	
0 PLC ± -	1 PLC ± -	PRODUCT SPEC 108-10033		
2 PLC ± 0.25 [.010]	3 PLC ± -	APPLICATION SPEC		
4 PLC ± -	ANGLES ± ± -	SIZE A2	CAGE CODE 00779	DRAWING NO 207018
MATERIAL NYLON, COLOR: RED	FINISH -	WEIGHT -	RESTRICTED TO -	
CUSTOMER DRAWING		SCALE 2:1	SHEET 1 OF 1	REV P

CUSTOMER DRAWING